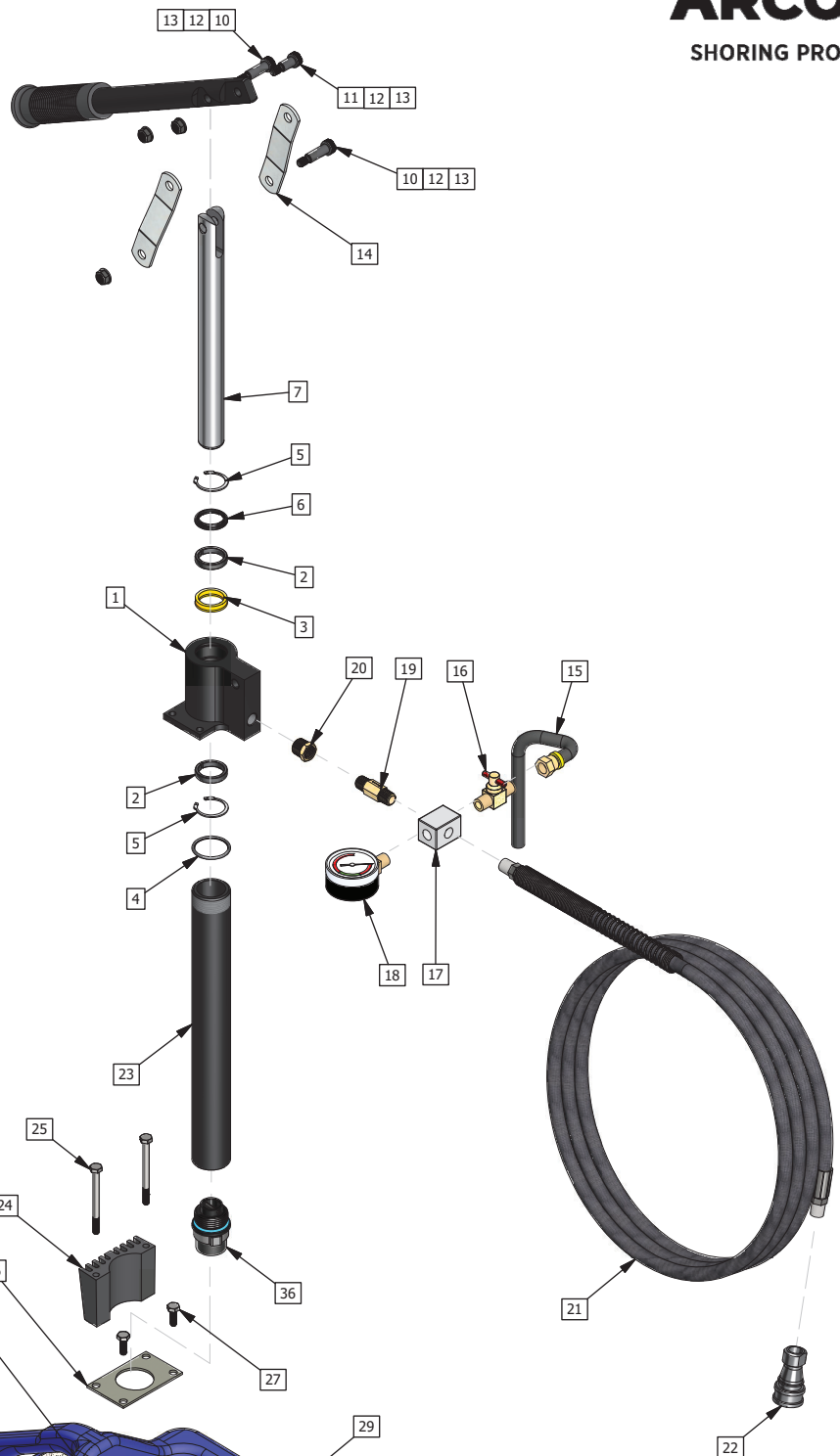


PLASTIC SHORING PUMP PN = PL1000

ITEM	PART NO.	DESCRIPTION	QTY
1	PL-1107	PUMP HEAD BODY	1
2	PL-1124	HS PB WEAR RING	2
3	PL-1117	PUMP HEAD POLY-SEAL	1
4	PL-1111	CHECK VALVE O-RING	1
5	PL-1123	INTERNAL RETAINING RING	2
6	59503	PUMP HEAD-PLUNGER ROD WIPER SEAL	1
7	PL-1104	PUMP PLUNGER ROD	1
8	PL-1116	HANDLE RUBBER GRIG	1
9	PL-1102	PUMP HANDLE	1
10	PL-1108	HANDLE/PUMP HEAD BOLT	2
11	PL-1103	HANDLE BOLT	1
12	PL-1114	5/16" HANDLE JAM NUT	3
13	PL-1106	5/16" HANDLE FLAT WASHER	3
14	PL-1105	HS PB TIE ROD LINKS (2/SET)	2
15	PL-1119	DRAIN HOSE ASSEMBLY	1
16	P-033	NPT 1/4" TURN VALVE	1
17	P-037M	HS-PB MACHINED 1/4 FPTW CROSS	1
18	59142	LIQUID FILLED 2,000 PSI. GAUGE	1
19	P-038	HS PB CHECK VALVE HPCV-4 PB-V	1
20	P-039	HS PB BUSHING 3/8" M 1/4" FW	1
21	PH-144	HYDRAULIC HOSE ASSEMBLY x 144" LG.	1
22	P-029	FEMALE COUPLER	1
23	PL-1109	PRESSURE TUBE	1
24	PL-1127	PUMP HEAD SPACER	1
25	PL-1126	PUMP HEAD BOLT	2
26	PL-1128	PUMP HEAD GASKET	1
27	PL-1118	PUMP HEAD BOLT	2
28	001VRHA	FORMED VERTICAL SHORE HANDLE	1
29	PL-1133	HS-PB FORMED HANDLE BRCKT.	1
30	PL-1129	HANDLE-PUMP BODY BOLT	2
31	PL-1130	1/4-20 HANDLE-PUMP BODY JAM NUT	2
32	2-HF-103	MALE COUPLER	1
33	2HF-101	1/4" NPT HEX. NIPPLE	1
34	PL-1121	FILL CAP	1
35	PL-1120	SHORING HAND PUMP CONTAINER	1
36	8345188	CHECK HOUSING SUB-ASSMY.	1
36.1	PL-1110	CHECK VALVE BALL	1
36.2	PL-1125	CHECK VALVE SEAT	1
36.3	PL-1112	ROLL PIN 0.125 x 1.000 LG.	1
36.4	PL-1115	PRESSURE TUBE O-RING	1
36.5	PL-1132	SCREEN RETAINER	1
36.6	PL-1131	HS-PB STRAINER SCREEN	1
36.7	PL-1113	HS-PB FITTING BTM. CHECK HOUSING	1
36.7	PL-1101	PUMP REPAIR KIT (XX-XX INCLUDED)	



PN = 8345188
CHECK HOUSING ASSMY.
ITEMS 36.1 THRU 36.7
ARE INCLUDED

