

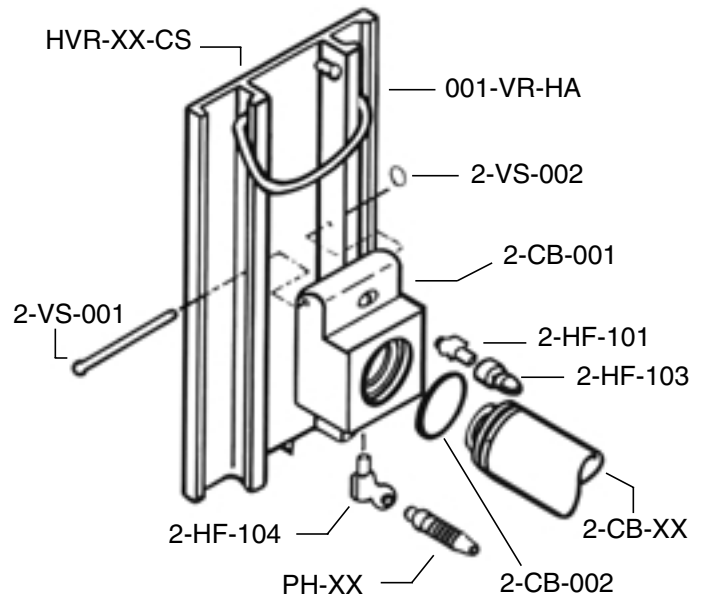


VERTICAL SHORE PARTS

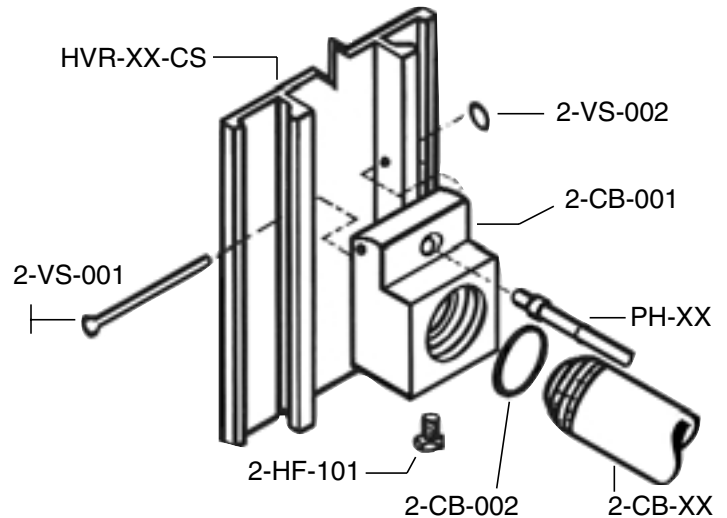
MODEL NO.	DESCRIPTION
2-CB-001	Cylinder Base with O-Ring
2-CB-002	"O"-Ring
2-CB-XX	Cylinder Barrel
2-HF-101	Heavy Duty Close Nipple
2-HF-102	1/4" Plug
2-HF-103	Male Coupler
2-HF-104	Elbow
HVR-XX-CS	Cylinder Side Vertical Rail
HVR-XX-PS	Piston Side Vertical Rail
PH-XX	Pressure Hose
2PR-010	Piston Pad
2VS-001	Cylinder Connecting Pin with Ring
2VS-002	Retaining Ring
2VS-003	Oversleeve Connecting Pin with Ring
001-VR-HA	3/8" Std. Handle Assembly

REPLACE XX WITH LENGTH IN INCHES

VERTICAL SHORE, CYLINDER SIDE (Top Cylinder)



VERTICAL SHORE, CYLINDER SIDE (Bottom Cylinder)



VERTICAL SHORE, PISTON SIDE

