

Steel Wrapped Aluminum 3", 4", and 6" Trench Shields



Steel Wrapped Aluminum Trench Shields

The idea behind the Steel Wrapped Aluminum Trench Shield is to have a lightweight trench box that will be able to be used by smaller machines (like other aluminum and light duty steel shields) while providing a rugged frame that is able to take the wear and tear of constant use (like steel wall trench shields).

Features:

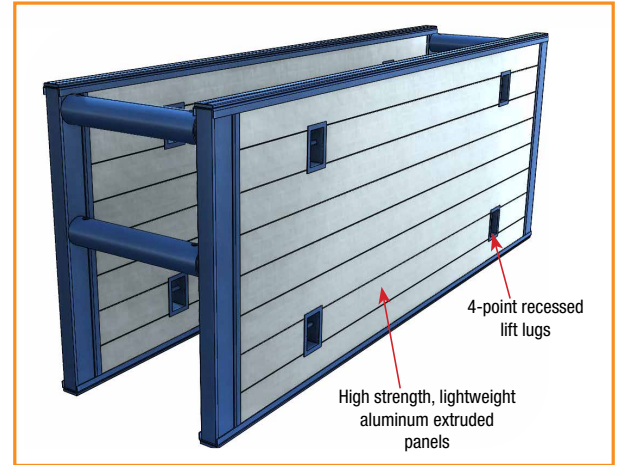
- 3", 4", and 6" thick sidewalls
- Steel thru-wall collars
- Multiple panel lengths
- Use of 5" Sch. 80 and 8" Sch. 80 spreaders
- Heavy-duty d-rings (3" and 4")
- Recessed lifting lugs (6" thick only)

Options:

- Foam Filling
- Pull Eyes
- Knife Edge
- Stacking Pockets
- Push Pads

Combining the best of steel trench boxes and aluminum trench shields, the Steel Wrapped Aluminum Trench Shield enables smaller machines (rubber tired backhoes, small excavators) to be used by contractors, municipalities, utility companies, and anyone operating smaller machines yet requiring a strong, durable trench box.

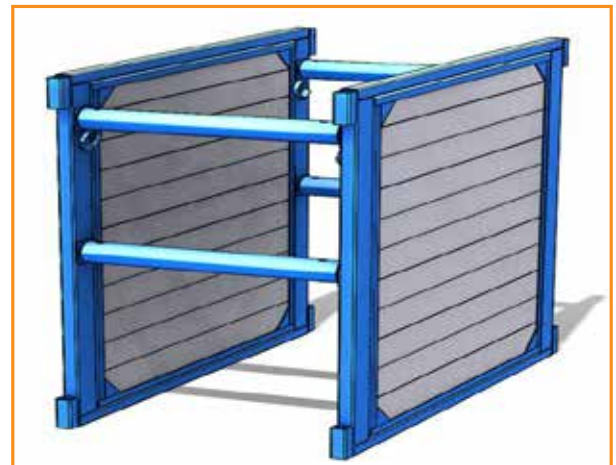
If you have an upcoming project and would like to see how GME can assist you, or if you would like more information about GME and our products, please feel free to contact us at 800.248.2054 or on the web at www.gme-shields.com.



6" thick Steel Wrapped Aluminum Trench Shield



4" thick Steel Wrapped Aluminum Trench Shield



3" thick Steel Wrapped Aluminum Trench Shield

PRODUCER OF THE WORLD'S MOST COMPLETE LINE OF TRENCH SHORING & SHIELDING EQUIPMENT

Steel Shields



Lite Shields



Height Adapters



AEX Shields



MD Brace System



Hydraulic Shoring



Bedding Boxes



Hydraulic Shields



Exit Grids



Port-a-Bridges

